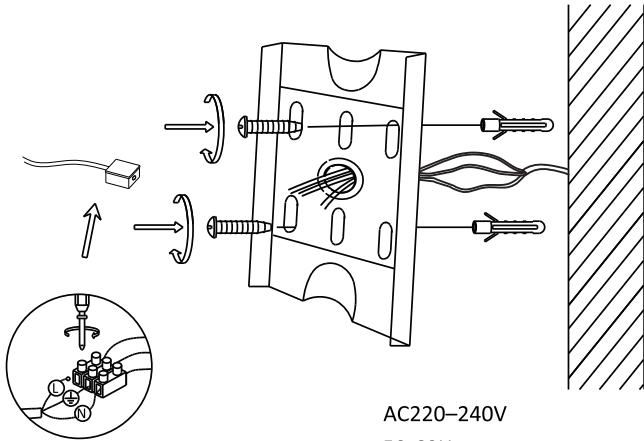
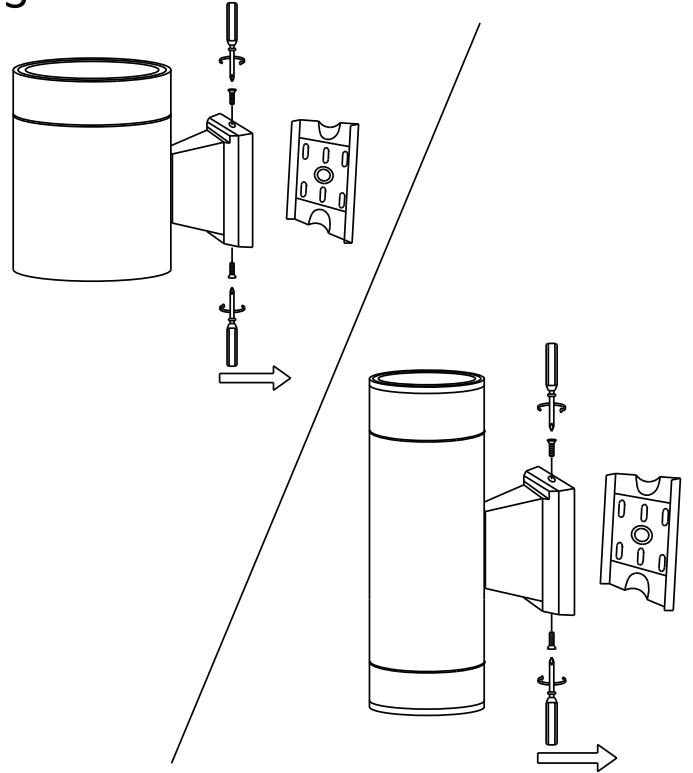


2

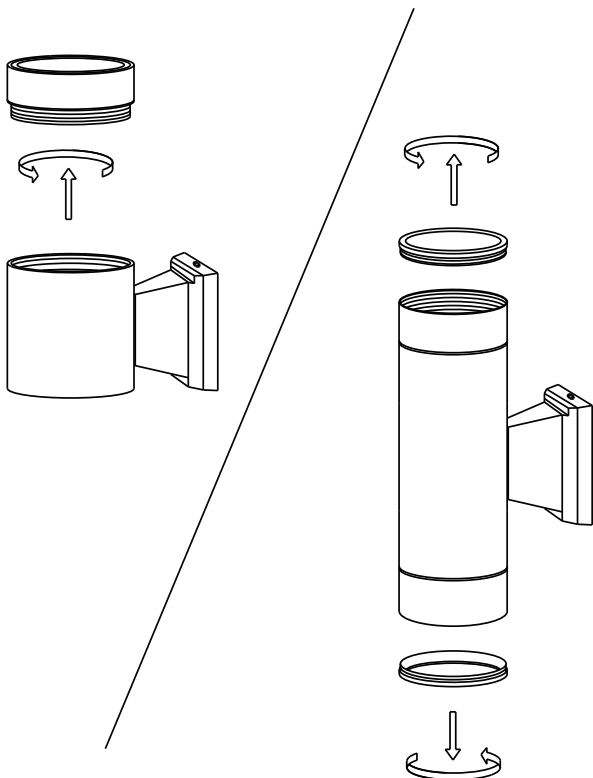


AC220-240V  
50-60Hz  
L+ ⊕ +N

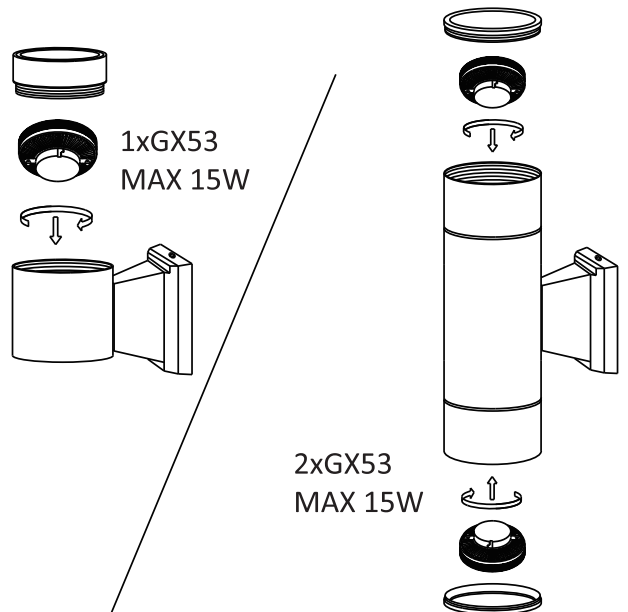
3



4



5



on

